

LED MOVING HEAD GOBO LIGHT

User Manual



★Please read these instructions carefully before installing and using the product★

Before using the product for the first time

1. Unpack and ensure that there is no transportation damage before using the fixture. Do not attempt to operate a damaged fixture.

2. Package:

Item	Quantity
LED Fixture (recessed)	1
Power Cable	1
Hanging accessory	1
Screws M5*8	4
User Manual	1

3. Check that the voltage and frequency of the local power source match the mains power requirements of the fixture.

4. Operate the fixture in accordance with the procedures described in this manual.

5. The fixture needs to be installed in a well-ventilated area.

6. Verify the weight bearing of the fixture before its suspended.

7. Turn off the power when you do any installation, maintenance, or cleaning work for the fixture.

Specification

* Voltage: AC110-240V 50Hz

* Power consumption: 120W

* LED Source: LED 80W, 11000K

* Connector: RJ45 In/Out

* Control option: Auto, Sound, DMX512 (14CH/10CH), Master/Slave

* X axis: 540°, Y axis: 180°

* Color Wheel: 7 + 1 * Gobo Wheel: 7 + 1

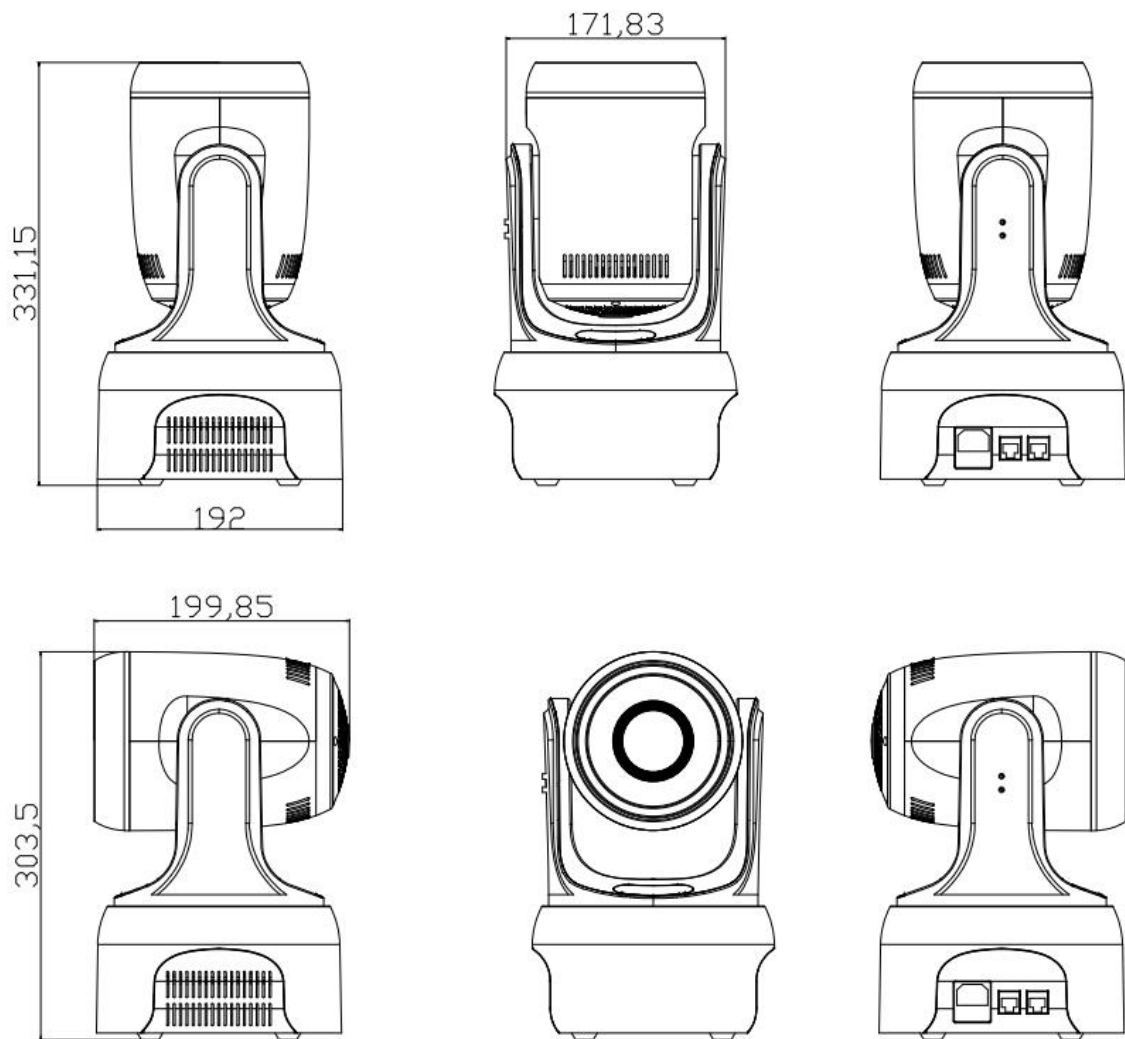
* NW: 3.8KG

* Dimension: 192*192*331mm

* Installation methods: Hanging on truss, Surface, Conceal mounted (Hole-cutting diameter: 220mm, Hole-cutting depth: \geq 110mm)

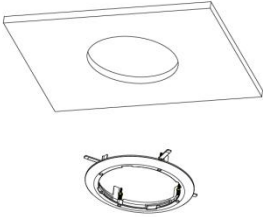

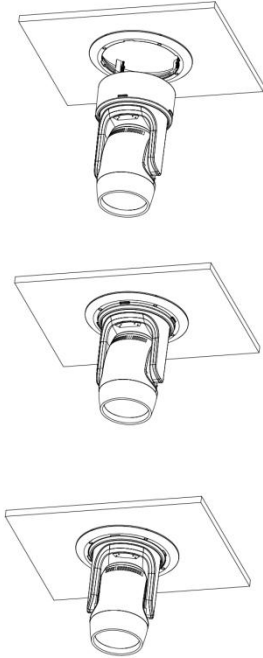
* **Notice:** When the device is in an abnormal situation, "ERRO" is displayed and the keys are locked (when the LEDs temperature is $>75^{\circ}\text{C}$).

Fixture Overview:

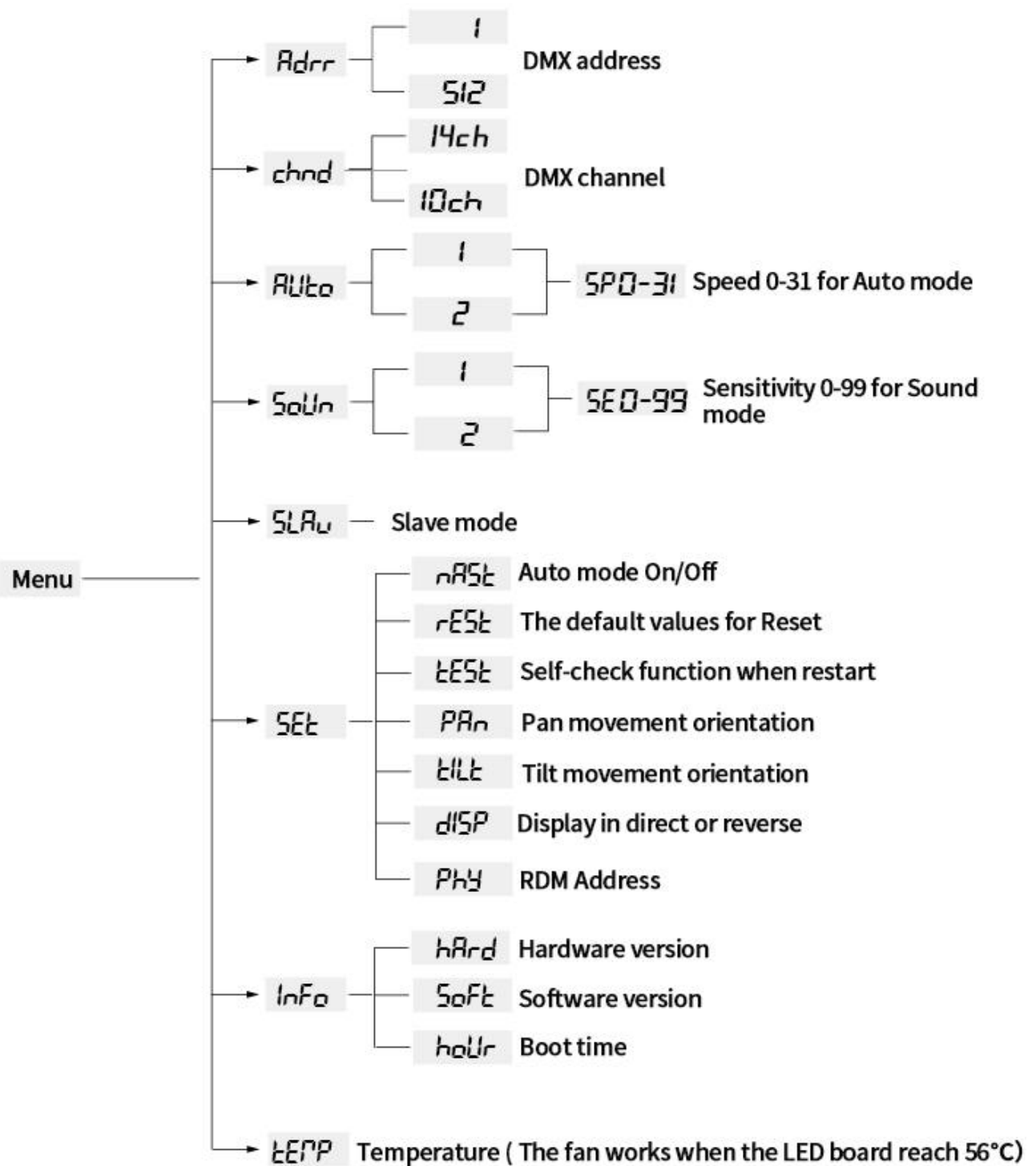


Installation Intruction:

Note: The following instructions are only for the optional recessed mounting method. The flat head self-tapping screws need to be prepared by the user, and the length depends on the installation situation.

Recessed Mount Instruction	
<p>1. Hole Cutting Diameter: 220mm Hole Cutting Depth \geq 110mm</p>	
<p>2. Install the Decorative Cover to the ceiling and fasten the 4 screws.</p>	
<p>3. Hold the base of the fixture and align the clamping position with the slot of the decorative cover. After inserting the decorative cover, rotate the base counterclockwise to make the clamping slot of the base snap into the slot of the decorative cover. Confirm the installation is finished, remove your hands.</p>	

Control Menus



DMX Channel Instruction

DMX 14 Channel

Channel	Value	Function
1	0-255	Pan Movement
2	0-255	Pan Micro Movement
3	0-255	Tilt Movement
4	0-255	Tilt Micro Movement
5	0-255	Speed for Pan/Tilt
6	0-31	Default Effect
	32-249	Prism On, No Rotation
	250-255	Prism On with Rotation (Speed by CH7)
7	0-255	Speed for Prism, Fast to Slow
8	0-255	Strobe Function
	0-25	Default Effect
	26-57	Random Strobe Effect
	58-59	Strobe Light Extinction Effect
	90-121	Strobe Light Extraction Effect
	122-153	Strobe (Light Extinction to Extraction mode)
	154-209	Strobe Effect 5s to 1s
	210-255	Strobe Effect 1Hz-20Hz Slow to Fast
9	0-255	Brightness Adjustament
10	0-10	Gobo1
	11-19	Gobo 2
	20-29	Gobo 3
	30-39	Gobo 4
	40-49	Gobo 5
	50-59	Gobo 6
	60-69	Gobo 7
	70-79	Gobo 8
	80-99	Gobo 1 Shake
	100-119	Gobo 2 Shake
	120-139	Gobo 3 Shake
	140-159	Gobo 4 Shake
	160-179	Gobo 5 Shake

	180-199	Gobo 6 Shake
	200-219	Gobo 7 Shake
	220-239	Gobo 8 Shake
	>239	Auto Gobo Changing Slow to Fast (Speed: 240-255)
11	0-10	Color1
	11-19	Color 2
	20-29	Color 3
	30-39	Color 4
	40-49	Color 5
	50-59	Color 6
	60-69	Color 7
	70-79	Color 8
	80-89	2-in-1 Color 1
	90-109	2-in-1 Color 2
	110-119	2-in-1 Color 3
	120-129	2-in-1 Color 4
	130-139	2-in-1 Color 5
	140-149	2-in-1 Color 6
	150-159	2-in-1 Color 7
	160-169	2-in-1 Color 8
		>169
12	0-7	None
	8-19	Auto 1
	20-39	Auto 2
	40-59	Auto 3
	60-79	Auto 4
	80-99	Auto 5
	100-119	Auto 6
	120-139	Auto 7
	140-159	Auto 8
	160-179	Auto 9
	180-199	Auto 10
	200-219	Auto 11
	211-220	Auto 12
	221-230	Auto 13

	231-240	Slow Speed for Auto/Sound, Sensitivity by 20CH, No Color Control
	241-251	Fast Speed for Auto/Sound, Sensitivity by 20CH, No Color Control
	252-255	Slow Speed for Auto/Sound, Sensitivity by 20CH, with Color Control
13	0-255	Speed for Built-in Auto
14	0-239	None
	201-240	Pan/Tilt Reset

DMX 10 Channel

Channel	Value	Function
1	0-255	Pan Movement
2	0-255	Tilt Movement
3	0-255	Speed for Pan/Tilt Movement
4	0-31	Default Effect
	32-249	Prism On, No Rotation
	250-255	Prism On with Rotation (Speed by CH7)
5	0-255	Speed for Prism, Fast to Slow
6	0-25	Default Effect
	26-57	Random Strobe Effect
	58-59	Strobe Light Extinction Effect
	90-121	Strobe Light Extraction Effect
	122-153	Strobe (Light Extinction to Extraction mode)
	154-209	Strobe Effect 5s to 1s
7	210-255	Strobe Effect 1Hz-20Hz Slow to Fast
	0-255	Brightness Adjustament
8	0-10	Gobo 1
	11-19	Gobo 2
	20-29	Gobo 3
	30-39	Gobo 4
	40-49	Gobo 5
	50-59	Gobo 6
	60-69	Gobo 7
	70-79	Gobo 8
	80-99	Gobo 1 Shake

	100-119	Gobo 2 Shake
	120-139	Gobo 3 Shake
	140-159	Gobo 4 Shake
	160-179	Gobo 5 Shake
	180-199	Gobo 6 Shake
	200-219	Gobo 7 Shake
	220-239	Gobo 8 Shake
	>239	Auto Gobo Changing Slow to Fast (Speed: 240-255)
9	0-10	2-in-1 Color 1
	11-19	2-in-1 Color 2
	20-29	2-in-1 Color 3
	30-39	2-in-1 Color 4
	40-49	2-in-1 Color 5
	50-59	2-in-1 Color 6
	60-69	2-in-1 Color 7
	70-79	2-in-1 Color 8
	80-89	2-in-1 Color 1
	90-109	2-in-1 Color 2
	110-119	2-in-1 Color 3
	120-129	2-in-1 Color 4
	130-139	2-in-1 Color 5
	140-149	2-in-1 Color 6
	150-159	2-in-1 Color 7
	160-169	2-in-1 Color 8
		>169
10	0-239	None
	201-240	Pan/Tilt Reset